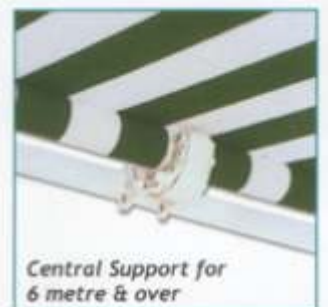
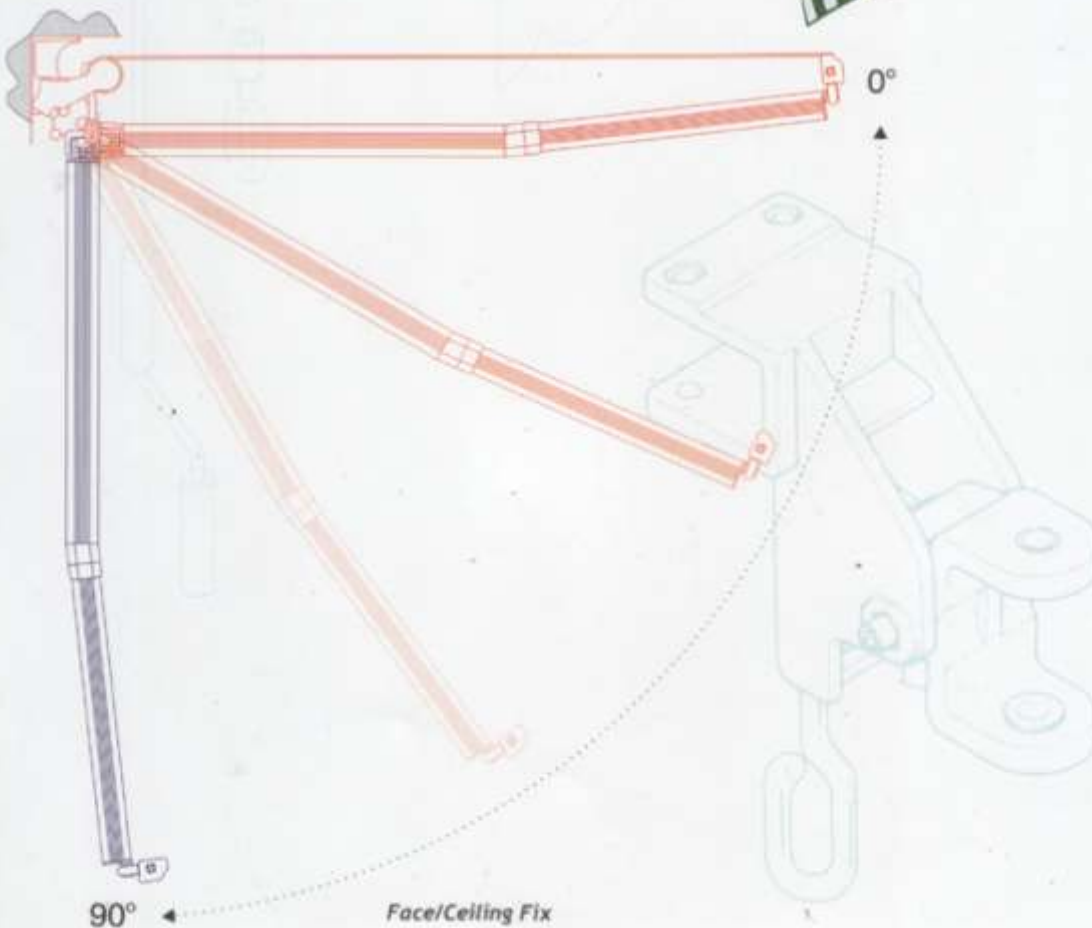


'Australia' Folding Arm Awning

For larger patios and commercial installations the "Australia" is an immensely strong system constructed around a 40mm x 40mm square bar.

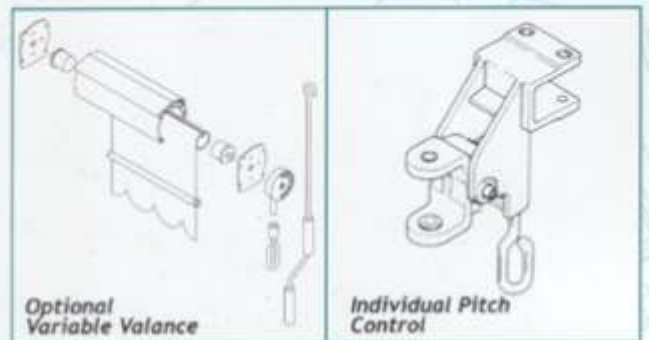
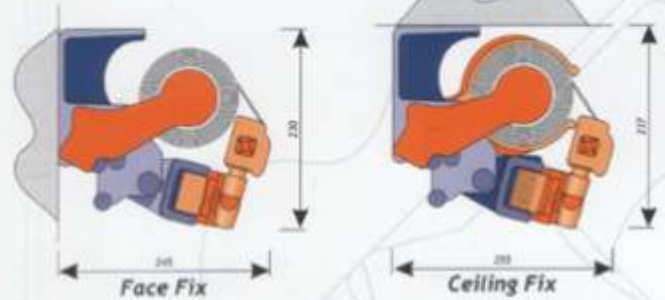
By joining the profiles this system can span up to 18m in width and project up to 3.6m. Awnings over 6m wide should be motorised.



'Australia' Folding Arm Awning

Features

- 40MM X 40MM SQUARE BAR
- 70MM GALVANISED TOP TUBE
- 11:1 GEAR BOX IS STANDARD
- STREAMLINED HEAVY EXTRUDED FRONT BAR
- OPTIONAL VARIABLE VALANCE FRONT BAR
- HEAVY DUTY ARMS WITH STAINLESS STEEL CHAIN
- EASY TO ADJUST ARM BRACKETS (WITH A SPANNER)
- PITCH RANGE FROM 0° TO 90° DEGREES WITH STANDARD ARM BRACKETS
- INDIVIDUAL ARM PITCH CONTROL IS ALSO AVAILABLE
- PROJECTIONS FROM 1600MM TO 3600MM
- STANDARD COLOURS ARE WHITE, GREY OR IVORY
- OTHER COLOURS ARE AVAILABLE ON REQUEST



STANDARD COLOURS AVAILABLE



MINIMUM WIDTH PER PAIR OF ARMS (mm)

ARM LENGTH	1600	1850	2100	2350	2600	2850	3100	3600
1 PAIR	2010	2210	2490	2690	2890	3150	3490	3990
2 PAIR	3980	4380	4940	5340	5740	6260	6940	7940
3 PAIR	5950	6550	7390	7990	8590	9370	10390	11890

YOUR GLOBAL DEALER:

Southern Cross Blinds
 141 High St, Kangaroo Flat
 Ph: (03) 5447 9011
 Mob: 0418 105 82
 Fax: (03) 5447 9011



GLOBAL AWNING ACCESSORIES (AUST) PTY LTD
 MELBOURNE VICTORIA AUSTRALIA
global@hotlinks.net.au